

DS-2CE16D5T-IT3



Key Features

- 2 Megapixel high-performance CMOS
- Analog HD output, up to 1080P resolution
- True Day/Night
- OSD menu, 3D DNR, Smart IR
- True WDR, up to 120dB
- EXIR technology, up to 40m IR distance
- IP66 weatherproof
- UTC function(Pelco C protocol)

Specification

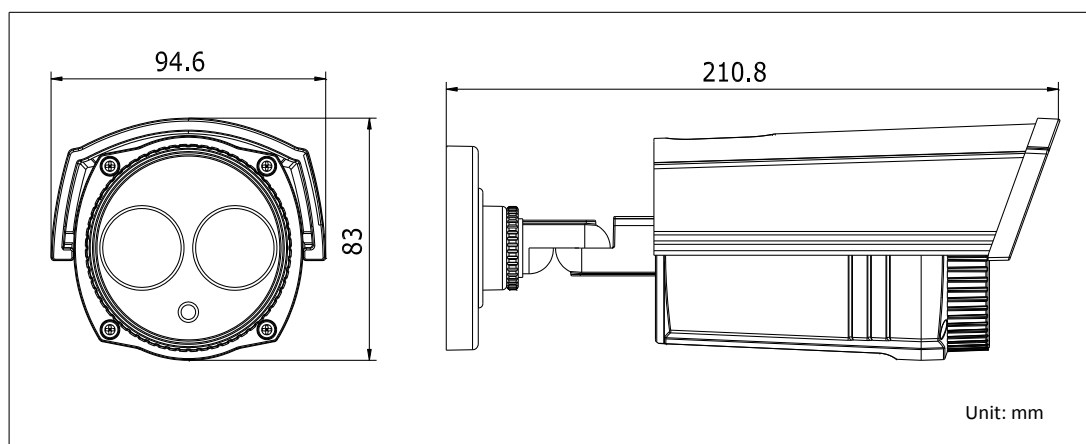
Model	DS-2CE16D5T-IT3
Parameter	Turbo HD1080p EXIR Bullet Camera
Camera	
Image Sensor	2MP CMOS Image Sensor
Signal System	PAL/NTSC
Effective Pixels	1944(H)*1092(V)
Min. Illumination	0.01 Lux @(F1.2,AGC ON), 0 Lux with IR
Shutter Time	1/25(1/30) s to 1/50,000 s
Lens	3.6mm (2.8mm, 6mm, 8mm, 12mm, 16mm optional)
	Angle of View: 82.6°(3.6mm), 103.5°(2.8mm), 54.4°(6mm), 38°(8mm), 24.4°(12mm), 18.9°(16mm)
Lens Mount	M12
Day & Night	ICR
Angle Adjustment	Pan: 0 - 360°, Tilt: 0 - 180°, Rotation: 0 - 360°
Synchronization	Internal synchronization
WDR	120dB
Video Frame Rate	1080p@25fps/1080p@30fps

HD Video Output	1 Analog HD output
CVBS Output	1Vp-p Composite Output(75Ω/BNC)
S/N Ratio	> 62dB
Menu	
Scene	Indoor, Outdoor, Indoor1, LOW-LIGHT
Camera ID	On/off (15 characters, position programmable)
AGC	Support
D/N Mode	Color/BW/EXT
White Balance	ATW, AWC-SET, Manual
Privacy Mask	On/Off, maximum 8 zones
Motion Detection	On/Off, maximum 4 zones
BLC	Support
Anti-flicker	On/off
Language	English, Japanese, CHN1, CHN2, Korean, German, French, Italian, Spanish, Polish, Russian, Portuguese, Dutch, Turkish, Hebrew and Arabic
Functions	Eclipse, Digital noise reduction, Digital zoom(62x), Slow shutter, Mirror, Defog, Defect pixel correction, SMART D-ZOOM
General	
Working Temperature/Humidity	-30 °C – 60 °C (-22 °F – 140 °F) Humidity 90% or less (non-condensing)
Power Supply	12V DC ± 15%
Power Consumption	Max. 5W
Weather Proof Ratings	IP66
IR Range	Up to 40m
Communication	Up the coax Protocol: Pelco-C(CVBS output), HIKVISION-C(TVI output)
Dimensions	94.6×83×210.8mm(3.72"×3.27"×8.30")
Weight	700g (1.54 lbs)

Order Model

DS-2CE16D5T-IT3

Dimension



Accessory



DS-1H33
Video Balun



DS-TT-X41T
TVI Tester