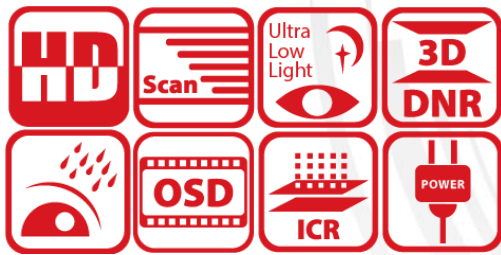


## DS-2CE16C5T-IT3 HD720P Low-light EXIR Bullet Camera



### Key Features

- 1.27 Megapixel high-performance CMOS
- Analog HD output, up to 720P resolution
- Low illumination
- True Day/Night
- OSD menu, 3D DNR, Smart IR
- EXIR technology, up to 40m IR distance
- IP66 weatherproof
- Up the Coax(HIKVISION-C, Pelco-C Protocol)



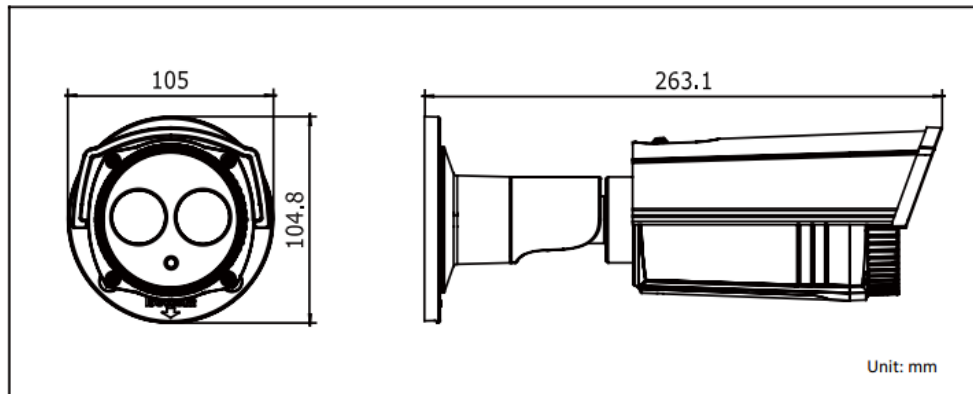
## Specifications

| <b>Camera</b>        |  |
|----------------------|--|
| Image Sensor         | 1.27MP CMOS Image Sensor   |
| Signal System        | PAL/NTSC   |
| Effective Pixels     | 1305(H)*977(V)   |
| Min. illumination    | 0.001 Lux @(F1.2,AGC ON), 0 Lux with IR  |
| Shutter Time         | 1/25(1/30)s to 1/50,000s   |
| Lens                 | 3.6mm (2.8mm, 6mm, 8mm, 12mm, 16mm optional)   |
|                      | Angle of View: 74.6°(3.6mm), 92.6°(2.8mm), 49°(6mm), 34.5°(8mm), 22.1°(12mm), 17.2°(16mm)                  |
| Lens Mount           | M12  |
| Day & Night          | ICR  |
| Angle Adjustment     | Pan: 0° - 360°; Tilt:0° - 90°; Rotate: 0° - 360°   |
| Synchronization      | Internal synchronization   |
| Video Frame Rate     | 720p@25fps/720p@30fps  |
| HD Video Output      | 1 Analog HD output   |
| CVBS Output          | 1Vp-p Composite Output(75Ω/BNC)  |
| S/N Ratio            | > 62dB   |
| <b>Menu</b>          |  |
| Automatic Exposure   | Globe AE/DWDR  |
| AGC                  | Low/Middle/High/Off  |
| Slow Shutter         | Support  |
| White Balance        | Auto/Manual  |
| D/N Mode             | Color/BW/SMART IR  |
| 3D DNR               | Low/Middle/High/Off  |
| Motion Detection     | Support, maximum 4 zones   |
| Privacy Mask         | On/Off, maximum 8 zones  |
| Language             | English/Chinese  |
| Function             | Digital Wide Dynamic Range, 3D Digital Noise Reduction, Sharpness, Brightness, Digital Zoom, Mirror, Reset |
| <b>General</b>       |  |
| Operating Conditions | -30 °C – 60 °C (-22 °F – 140 °F), Humidity 90% or less (non-condensing)                                    |
| Power Supply         | 12 VDC ± 15%   |
| Power Consumption    | Max. 4.5W  |
| Protection Level     | IP66   |
| IR Range             | Up to 40m  |
| Communication        | Up the coax, Protocol: Pelco-C(CVBS output), HIKVISION-C(TVI output)                                       |
| Dimensions           | 105×104.8×263.1mm(4.13" ×4.13" ×10.36")  |
| Weight               | 950 g  |

## Order Models

DS-2CE16C5T-IT3

## Dimensions



## Accessories



DS-1275ZJ

Vertical Pole Mounting



DS-1260ZJ

Junction box



DS-1280ZJ-S

Junction box



DS-1276ZJ

Corner Mounting



DS-1H18

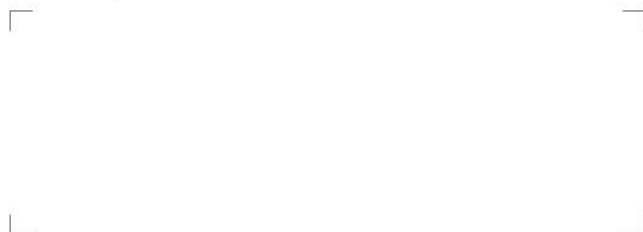
Video Balun



X41T

Camera Tester

Distributed by



### Headquarters

No.555 Qianmo Road, Binjiang District,  
Hangzhou 310051, China  
T +86-571-8807-5998  
overseasbusiness@hikvision.com

### Hikvision Poland

T +48-22-460-01-50  
poland@hikvision.com

### Hikvision USA

T +1-909-895-0400  
sales.usa@hikvision.com

### Hikvision India

T +91-22-28469900  
sales@pramahikvision.com

### Hikvision UK

T +44-1628-9021-4  
support.uk@hikvision.com

### Hikvision Europe

T +31-23-5542770  
saleseuro@hikvision.com

### Hikvision Italy

T +39-0438-6902  
info.it@hikvision.com

### Hikvision Singapore

T +65-6684-4718  
sg@hikvision.com

### Hikvision Middle East

T +971-4-8816086  
salesme@hikvision.com

### Hikvision France

T +33(0)1-85-330-444  
info.fr@hikvision.com

### Hikvision Oceania

T +61-2-8599-4233  
salesau@hikvision.com

### Hikvision Russia

T +7-495-669-67-99  
saleru@hikvision.com

### Hikvision Spain

T +34-91-737-16-55  
info.es@hikvision.com

### Hikvision Hong Kong

T +852-2151-1761